



**SUBMITTAL DRAWING**  
**A M I - 75 A**  
**STATIC FIRE DAMPERS**

**STANDARD CONSTRUCTION**

**TYPE A**

**MAXIMUM SIZE**

Single section, Vertical 60" x 60"  
 Horizontal 34"x60"

**MINIMUM SIZE**

4" x 4" - Vertical and Horizontal

**FRAME**

22 ga. Rollformed Steel frame

**FINISH - Mill**

**BLADES**

22 ga. Interlocking Steel Blades  
 'In Air Stream'

**MULTIPLE SECTIONS ASSEMBLY**

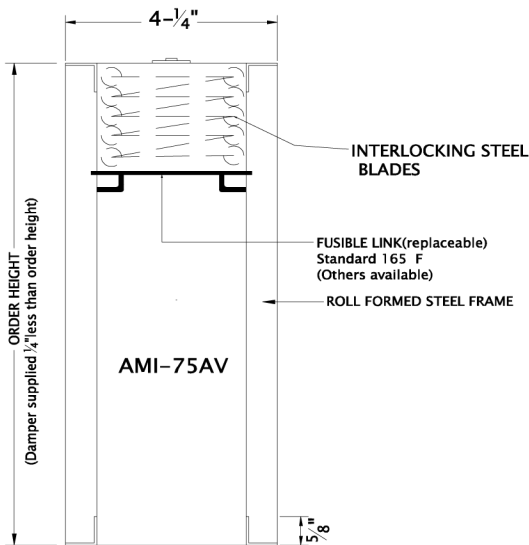
Vertical - 120" x 120" -  
 Horizontal - 102 "x 60"

**OPTIONS:**

- Vertical Mount
- Horizontal Mount
- 165 deg. F. Fusible Link (Standard)
- 212 deg. F. Fusible Link
- 304 Stainless Steel Construction

**Horizontal & Vertical**

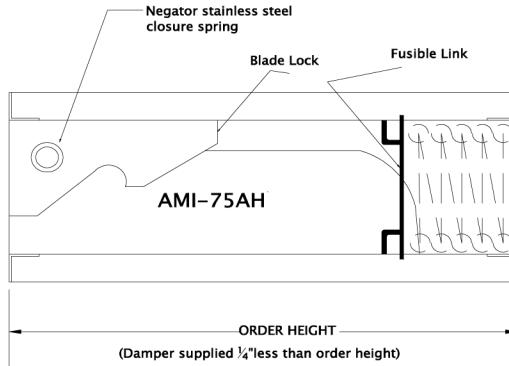
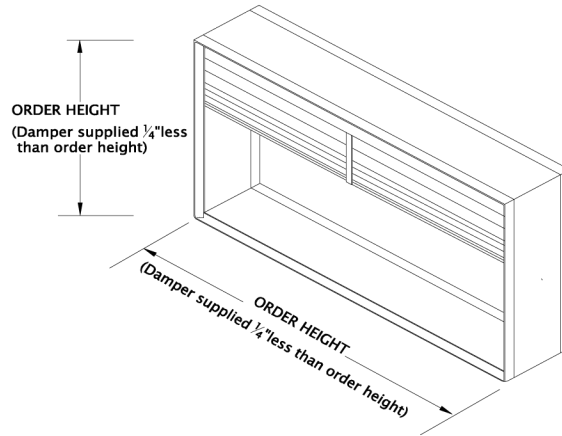
U.L Classified  
 1-1/2 Hour Rating



**(V) VERTICAL MOUNT**



UNDERWRITERS LABORATORIES (UL555)  
 CLASSIFIED FIRE DAMPERS  
 FIRE RESISTANCE RATED 1.5 HOURS.  
 FOR USE IN UL CLASSIFIED BUILDING  
 MATERIALS RATED 2 HOURS OR LESS.



**(H) HORIZONTAL MOUNT**

HORIZONTAL MOUNTING MODEL INCLUDES STAINLESS STEEL  
 NEGATOR SPRINGS AND BLADE LOCKS

Project:  
 Location:  
 Architect  
 Engineer:

Contractor:  
 Address:  
 P.O. Number:  
 Date: