



SUBMITTAL DRAWING A M I - 75 C , CR , CO , SLEEVE FOR FIRE DAMPERS

SLEEVE DIMENSIONAL INFORMATION FOR CURTAIN FIRE DAMPERS AND DOORS

- Dampers and sleeves are always priced and ordered by W x H or dimensions as shown. The types B and B-1 both require the damper to be oversized. Actual overall dimensions can be determined by adding sleeve material thickness to the basic damper dimensions (after allowing for the standard 1/4" damper undersizing).
- 'K' distance may be ordered at any dimension up to the sleeve length less onehalf the damper frame width. If 'k' dimension is not specified, 'k' dimension will be provided as sleeve length (L/2). (Damper On Centerline)

TYPE

C----- (75C RECTANGLE)

CR----- (75CR ROUND)

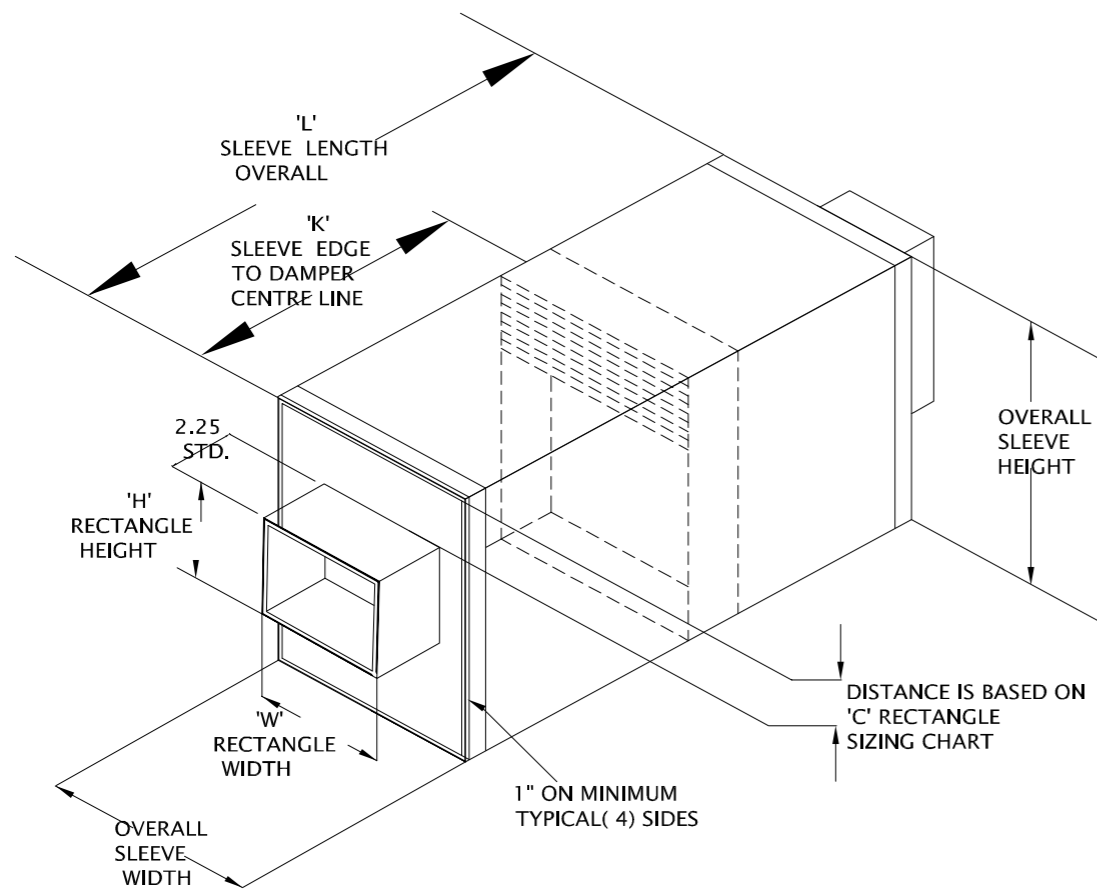
CO----- (75CO OVAL)

TYPE "CR" ROUND SLEEVE

When ordering specify: width x height x length x gauge + ('K' dimension). When not specified, dampers will be provided centered in sleeve length. (L/2)

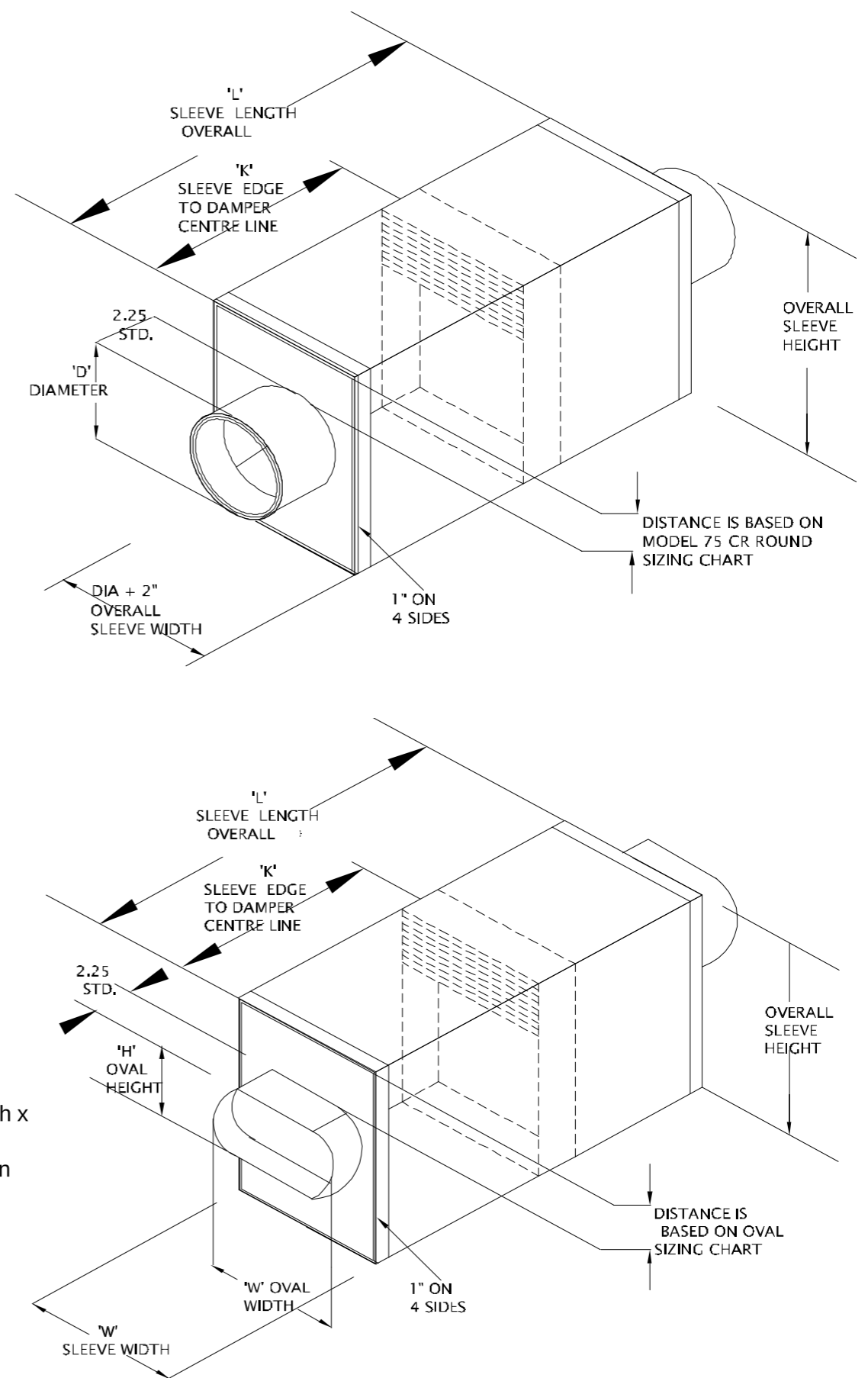
TYPE "C" RECTANGLE SLEEVE

When ordering specify: width x height x length x gauge + ('K' dimension). When not specified, dampers will be provided centered in sleeve length. (L/2)



TYPE "CO" OVAL SLEEVE

When ordering specify: width x height x length x gauge + ('K' dimension). When not specified, dampers will be provided centered in sleeve length. (L/2)



Project:
Location:
Architect
Engineer:

Contractor:
Address:
P.O. Number:
Date: