



SUBMITTAL DRAWING CD 300 AND CD 300S CONTROL DAMPERS

CD 300 S STANDARD CONSTRUCTION

MAXIMUM SIZE

Single blade, 6" w x 6" h
Two blades- 6" w x 12" h concealed linkage
Two blades - 8" w x 14" h (203 x356) exposed linkage

MINIMUM SIZE

Single section - 60"w x 72" h (1219 x 1829)
Multiple sections - unlimited

AXLES

1/2" (13) Plated steel Square or Round

FINISH

Mill galvanized

BEARINGS

Bronze Oilite(others optional)

LINKAGE

Concealed in frame standard, exposed available

SEALS

Stainless Steel jamb seals and Silicone blade edge

FRAME

Roll- formed , 5"x1" 16 Ga. galvanized steel hat channel style. Reinforced with corner bracing results in a structural strength equivalent to 13 Ga. Channel frames. Low profile 5" x 1/2", 16 ga. steel channel top and bottom frame used on dampers under 13" high.

TEMPERATURE LIMITS

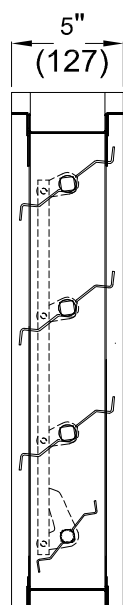
-40 degrees F(-40C) to + 250 degrees F (+116C)

CONTROL SHAFT

6"(152) x , 1/2" (13) dia. with expansion clip attachment. Outboard support bracket supplied with single section dampers for field mounted actuators. Factory installed jackshaft supplied with all multiple section dampers.

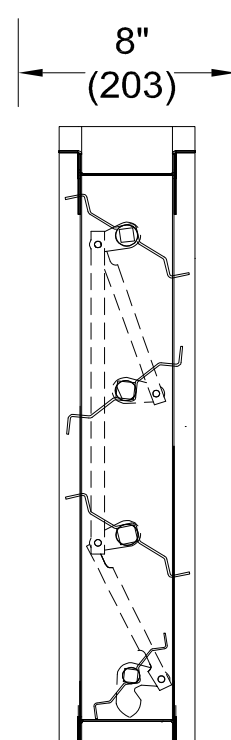
BLADES

5"W and 6"W X 16 ga. 3 v Bend and on approximately 6" centers. Parallel or Opposed action.



PARALLEL BLADES

Dimensions in brackets () indicate millimeters. Jack shafts used only on multiple section dampers. Units supplied approximately 1/4" (6) smaller than given duct dim.



OPPOSED BLADES

CD 300 STANDARD CONSTRUCTION

MAXIMUM SIZE

Single blade, 6" w x 6" h
Two blades- 5" w x 12" h concealed linkage
Two blades - 8" w x 14" h (203 x356) exposed linkage

MINIMUM SIZE

Single section - 60"w x 72" h (1219 x 1829)
Multiple sections - unlimited

AXLES

1/2" (13) Plated steel Square or Round

FINISH

Mill

LINKAGE

Concealed in frame standard, exposed available

BEARINGS

Bronze Oilite(others optional)

FRAME

Roll- formed , 5"x16 Ga. (127x1.5) galvanized steel hat channel style. Reinforced with corner bracing results in a structural strength equivalent to 13 Ga. Channel frames. Low profile 3 1/2" x 16 ga. (89x1.5) steel channel top and bottom frame used on dampers under 13" high.

TEMPERATURE LIMITS

-40 degrees F(-40C) to + 250 degrees F (+116C)

CONTROL SHAFT

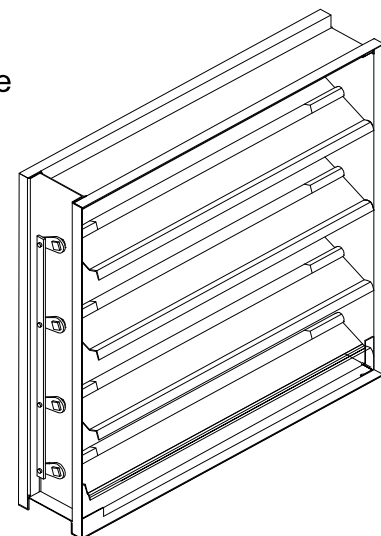
6"(152mm) x , 1/2" (13mm) dia. with expansion clip attachment. Outboard support bracket supplied with single section dampers for field mounted actuators. Factory installed jackshaft supplied with a multiple section dampers.

BLADES

5" and 6" wide, 16 ga. 3 v Bend and on approximately 6" centers. Parallel or Opposed action.

OPTIONS:

- Front Flange
- Rear Flange
- Double Flange
- Parallel Blades
- Opposed blades
- Concealed Linkage
- Exposed Linkage
- Stainless Steel Sleeve Bearings



Project:
Location:
Architect
Engineer:

Contractor:
Address:
P.O. Number:
Date: