



SUBMITTAL DRAWING HDCD3F1 AND HDCD3F2 HEAVY DUTY CONTROL DAMPER

STANDARD CONSTRUCTION

MINIMUM SIZE

Single blade, parallel action - 6" w x 6" h
Two blade, parallel or opposed action - 8" w x 14" h

MAXIMUM SIZE

HDCD3F1- single section - 48" w x 96" h
HDCD3F2- single section - 60" w x 96" h

AXLES

HDCD3F1- 1/2" dia. plated steel
HDCD3F2- 3/4" dia. plated steel

LINKAGE

Linkage in airstream.

BEARINGS

Stainless steel Press Fit to frame

FRAME

3" x 1" x 12 ga. galvanized steel U channel

BLADES

16 ga. galvanized steel airfoil shaped,
double skin, 8" maximum width.

MAXIMUM TEMPERATURE

250 deg. F is standard

FINISH

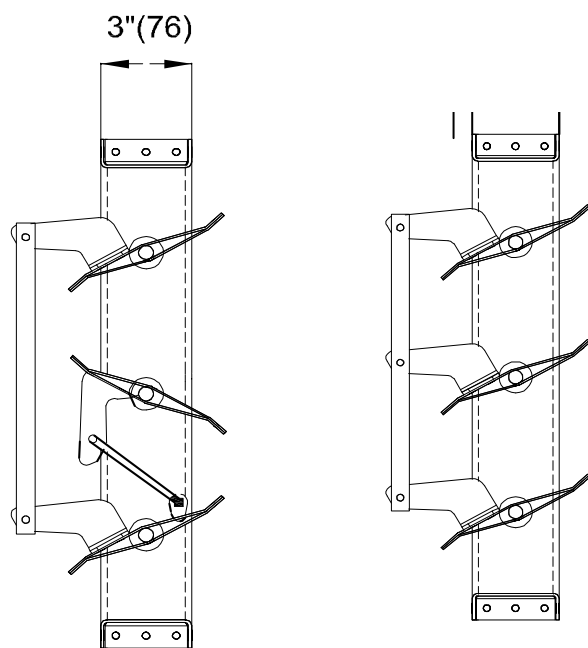
Mill galvanized

Unit supplied approximately 1/4" smaller
than given duct dimensions

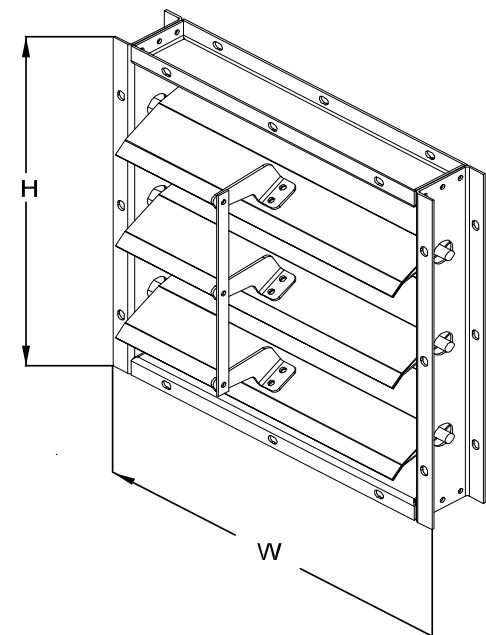
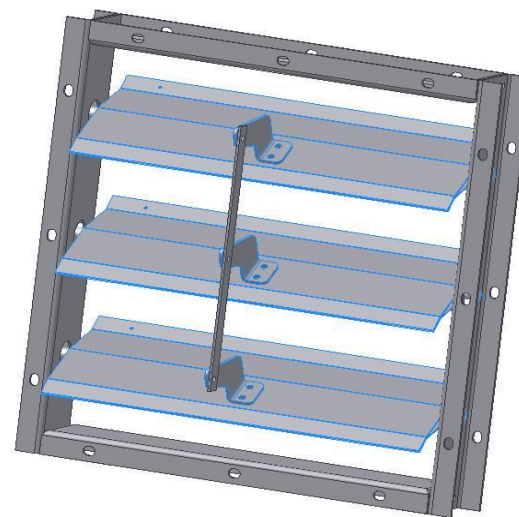
Jackshaft used on multiple section dampers only.

OPTIONS:

- Bearings with integral shaft seal, bolted to frame
- 304 Stainless Steel Construction
- Bolt Holes
- Opposed Blade
- Parallel Blade



PARALLEL BLADES



SEALS (OPT.)	ACCESSORIES (OPT.)	AXLES
SILICONE BLADE SEALS 400 DEG.F	HAND QUADRANTS (OPT)	1/2" PLATED STEEL
SS JAMB SEALS	PNEUMATIC ACTUATORS	304 STAINLESS STEEL (OPT)
	ELECTRIC ACTUATORS	BOLTED TO BLADES (OPT)
		FULL LENGTH (OPT)

FRAME	BLADES
GALV.U. CHANNEL 3"X1"X12 Ga	GALVANIZED 16 GA.
GAL HAT CHANNEL (OPT) 3"X1"X14 Ga.	GALVANIZED(OPT) 14" Ga.
3"X1"X12 TA. 304 SS U. CHANNEL (OPT)	304 SS (OPT) 16" Ga.
3"X1"X1.125 THICK ALUM.U CHANNEL (OPT)	0.080 THICK ALUM (OPT)

Project:
Location:
Architect
Engineer:

Contractor:
Address:
P.O. Number:
Date: