



SUBMITTAL DRAWING AMI -HDCD92-S HEAVY DUTY ROUND CONTROL DAMPERS

STANDARD CONSTRUCTION

MINIMUM SIZE

4" dia.

MAXIMUM SIZE

72" dia.

SEAL

Silicone seal
seal, fastened to blade with bolted retainer ring.

CONTROL SHAFT

Axle extends 6" from frame.

BEARINGS

Grease lubricated ball bearings mounted outboard of frame with adjustable packing gland shaft seals.

FINISH

Bonded, industrial alkyd-epoxy enamel.

FRAME

Steel channel

BLADES

Steel, stiffened as required.

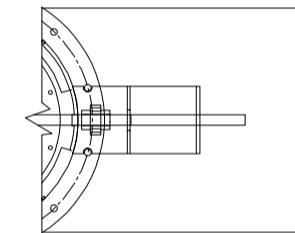
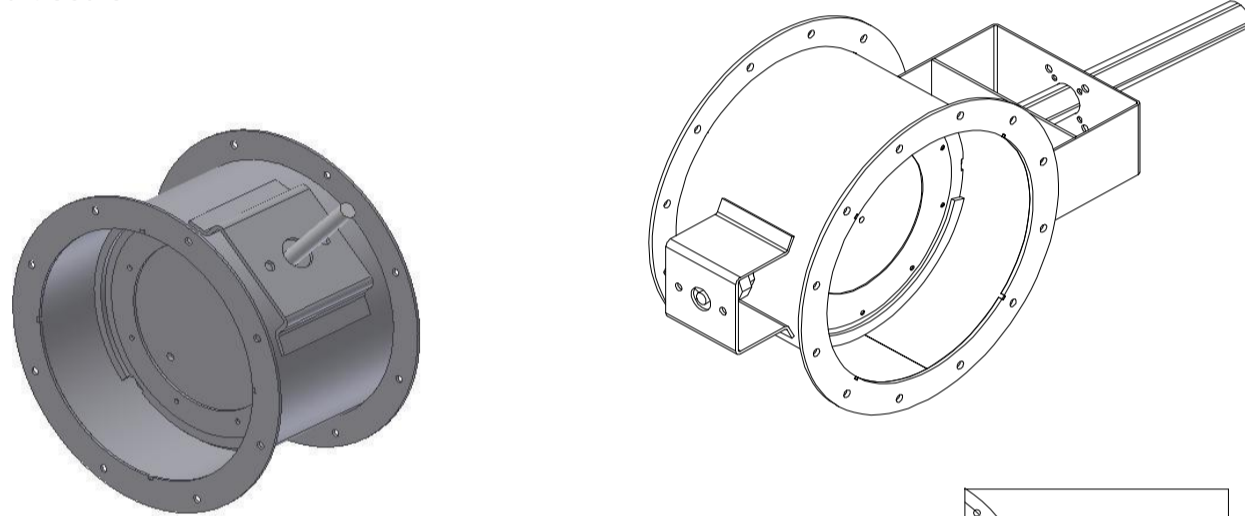
AXLES

Continuous, plated steel axle, angle reinforced as required. See table below for axle dia.

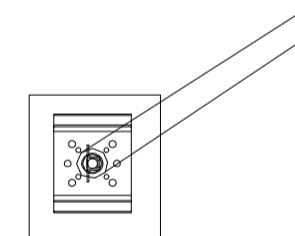
MAXIMUM TEMPERATURE

250 deg. F is standard

Dimensions in brackets () indicate millimeters.



OUT BOARD BEARINGS
W / SHAFT SEALS (OPT)



HAND QUADRANT

Inside diameter (D)		Blade	Axle	Frame	
Above	Through	Thickness	Diameter	Flange (F)	Web (C)
4" (102)	8 3/4" (222)	1/4" (6)	1/2" (13)	1 1/4" x 10 ga.	6" x 10 ga.
8 3/4" (222)	11 3/4" (299)	1/4" (6)	3/4" (19)	1 1/4" x 10 ga.	9" x 10 ga.
11 3/4" (299)	14" (356)	1/4" (6)	3/4" (19)	1 1/2" x 10 ga.	9" x 10 ga.
14" (356)	24" (610)	1/4" (6)	3/4" (19)	1 1/2" x 1/4"	9" x 10 ga.
24" (610)	32" (813)	1/4" (6)	3/4" (19)	2" x 1/4"	12" x 1/4"
32" (813)	44" (1118)	1/4" (6)	1" (25)	2" x 1/4"	12" x 1/4"
44" (1118)	48" (1219)	1/4" (6)	1 1/2" (38)	2" x 1/4"	12" x 1/4"
48" (1219)	52" (1321)	3/8" (101)	1 1/2" (38)	2 1/2" x 5/16"	12" x 5/16"
52" (1321)	72" (1829)	3/8" (101)	2" (51)	2 1/2" x 5/16"	12" x 5/16"

FRAME	BLADES	SEALS
Steel channel	Steel stiffened as required	Full circumference elastomer wiper seal
304 Stainless steel (OPT)	304 Stainless steel (OPT)	Silicone Blade seal (OPT.)

BEARINGS	AXLE	ACCESSORIES (OPT)
Grease lubricated ball bearings mounted outboard with shaft seals	Plated continuous 6" extension beyond frame	Bolt holes in 1 flange
		Bolt holes in both flanges
		Manual actuator
	304 Stainless steel (OPT)	Electric actuator
		Pneumatic actuator

OPTIONAL BOLT HOLES AS SHOWN
S=HOLES STRADDLE AXLE (SHOWN)
M=DIAMETER OF HOLES
H= NUMBER OF HOLES (EVEN NUMBER ONLY)
T= HOLES PARALLEL WITH AXLE O (NOT SHOWN)

- 6" -

Project:
Location:
Architect
Engineer:

Contractor:
Address:
P.O. Number:
Date: