



# SUBMITTAL DRAWING ICD81 AND ICD82 INDUSTRIAL CONTROL DAMPERS

## STANDARD CONSTRUCTION

### MINIMUM SIZE

Single blade, parallel action - 6" w x 6" h  
Two blade, parallel or opposed action - 6" w x 12" h

### MAXIMUM SIZE

48" w x 96" h

### FINISH

Mill galvanized

### FRAME

8" x 2" x 14 ga. steel channel

### AXLES

ICD81 - 1/2" dia. plated steel  
ICD82 - 3/4" dia. plated steel.

### LINKAGE

Side linkage out of airstream.

### BLADES

16 ga. triple v-groove , 5" to 8" wide

### BEARINGS

Stainless steel sleeve bolted to frame

### MAXIMUM TEMPERATURE

250 deg. F is standard

### DEPTH

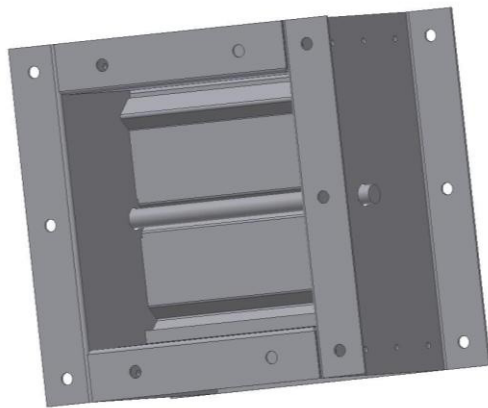
8" Standard

Unit supplied approximately 1/4" smaller than given duct dimensions

Stainless steel construction in airstream only

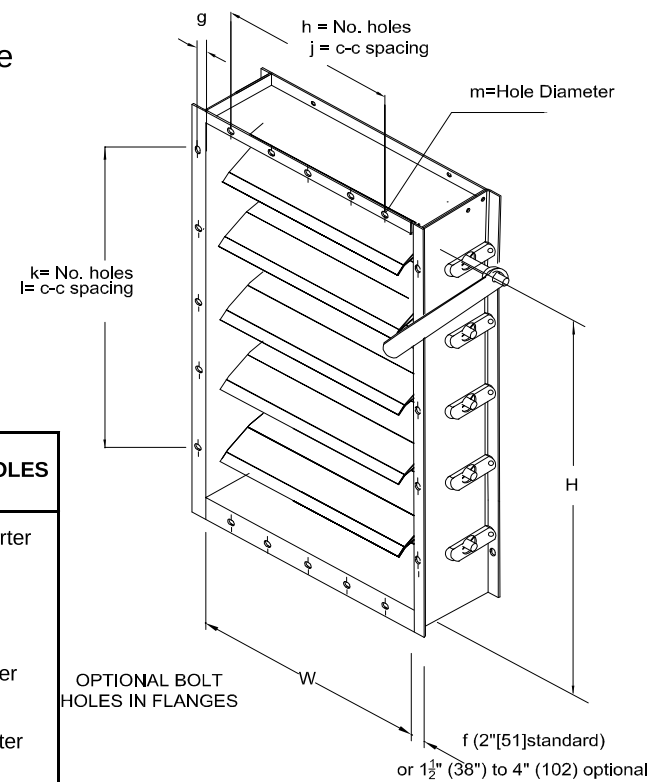
### OPTIONS:

- Bearings with integral shaft seal, bolted to frame
- 304 Stainless Steel Construction
- Bolt Holes
- Opposed Blade
- Parallel Blade



HAND QUADRANT

CRANK ARM

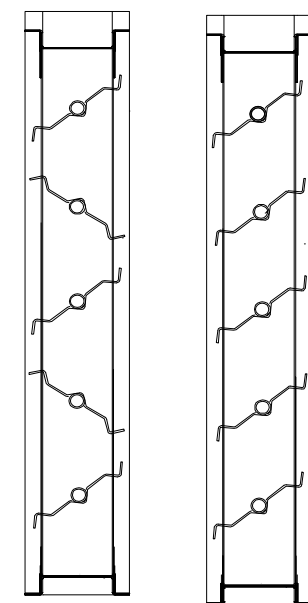


### OPTIONAL BOLT HOLES IN FLANGES

h = no. of holes on shorter side  
f = flange width  
m = holes diameter  
k = no. of holes on longer side  
j = c-c spacing on shorter side  
l = c-c spacing on longer side  
g = width from the centre line

| LINKAGE          | SEALS (OPT)                             | ACCESSORIES (OPT)                  |
|------------------|---|------------------------------------|
| SIDE ( EXTERNAL) | BLADE SEALS SILICONE<br>350° F MAX(OPT) | MANUAL ACT. NO                     |
| FACE EXPOSED)    | SS BLADE SEALS 400° F<br>MAX (OPT)      | MANUAL ACT.CL                      |
|                  |   | BOLT HOLES ONE FLANGE<br>(OPT)     |
| LINKAGE (OPT)    | SS-JAMB                                 | BOLT HOLES BOTH<br>FLANGES (OPT)   |
|                  |   | 1 1/2" (38) TO 4" FLANGES<br>(OPT) |
|                  |   | ELECTRIC ACT.(OPT)                 |
|                  |   | PNEU. ACT. (OPT)                   |

| FRAME                            | BLADES                     | AXLES                            | BEARINGS                                       |
|----------------------------------|----------------------------|----------------------------------|--|
| 14 GA 8"X2" GALVANIZED           | 16 GA. GALVANIZED          | ICD81. 1/2" DIA. PLATED<br>STEEL | OUTBOARD BRGS.<br>W/SHAFT SEAL (OPT)           |
| 14 GA( 8"X2") 304 SS<br>(OPT)    | 16 GA.304 SS (OPT)         | ICD82. 3/4" DIA. 304 SS<br>(OPT) | SS SLEEVE PRESSED                              |
| 14 G A. ( 8"X2") 316 SS<br>(OPT) | 16 GA.316 SS (OPT)         | ICD81. 1/2" DIA. 316 SS (OPT)    | BRGS. BOLTED TO<br>FRAME W/SHAFT SEAL<br>(OPT) |
|                                  | 14 GA. GALVANIZED<br>(OPT) | ICD82.3/4" DIA. PLATED<br>STEEL  | SS SLEEVE IN CAST HSG<br>BOLTED TO FRAME(OPT)  |
| 8"X2" 12 GA.GALVANIZED<br>(OPT)  | 14 GA. 304 SS (OPT)        | ICD81. 1/2" DIA. 304 SS<br>(OPT) |  |
|                                  | 14 GA. 316 SS (OPT)        | ICD82. 3/4" DIA. 316 SS (OPT)    |  |
|                                  |                            |                                  |  |
|                                  |                            |                                  |  |



OPPOSED  
BLADE

PARALLEL  
BLADE

Project:  
Location:  
Architect  
Engineer:

Contractor:  
Address:  
P.O. Number:  
Date: