



SUBMITTAL DRAWING AMI - ICD8F3 AND ICD8F4 INDUSTRIAL CONTROL DAMPERS

STANDARD CONSTRUCTION

MINIMUM SIZE

Single blade, parallel action - 6" w x 6" h

Two blade, parallel or opposed action

6"W X 12" H

MAXIMUM SIZE

60"w x 96" H

BLADES

ICD8F3- 5 3/4" to 7 3/4" wide, double skin

airfoil type of 16 ga. steel for blade lengths to 48" and 14 ga. for 48" to 60"

airfoil type of 12 ga. steel for blade lengths to 48"

& 10 ga. for 48" to 60"

& 10 ga. steel for 48" to 60"

FINISH

Mill galvanized

BEARINGS

Stainless steel sleeve bolted to frame

LINKAGE

Side linkage out of airstream.

FRAME

ICD8F3 - 8" x 2" x 12 ga. steel channel

ICD8F4 - 8" x 2" x 10 ga. steel channel

MAXIMUM TEMPERATURE

250 deg. F is standard

DEPTH

8" Standard

AXLES

ICD8F3 - 3/4" dia. plated steel

ICD8F4 - 3/4" dia. plated steel

Unit supplied approx 1/4" smaller than given duct dimensions

OPTIONS:

- Bearings with integral shaft seal, bolted to frame
- 304 Stainless Steel Construction
- Bolt Holes
- Opposed Blade
- Parallel Blade



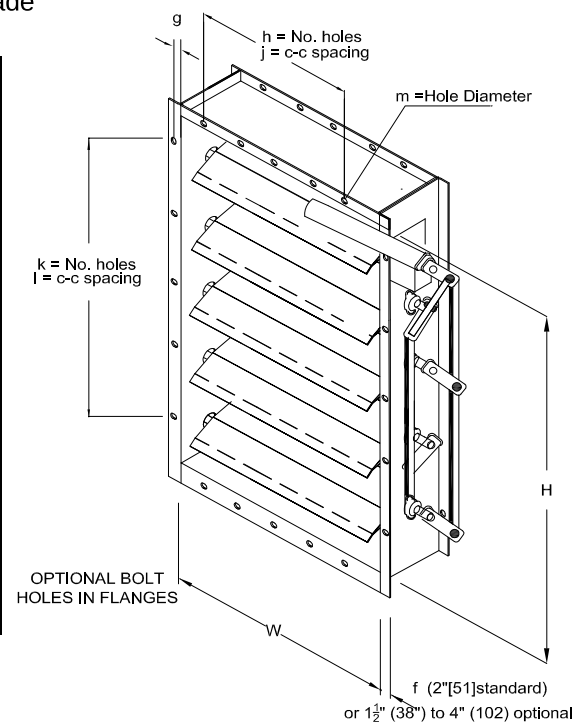
CRANK ARM

HAND QUADRANT

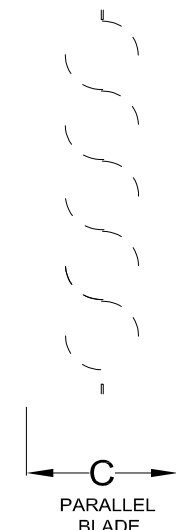
| LINKAGE | SEALS (OPT) | ACCESSORIES |
|--------------------------|--------------------------------|-------------------------------|
| SIDE LINKAGE (CONCEALED) | SILICONE 400° F(200 deg C) MAX | HAND QUADRANT |
| | SS-JAMB SEALS | CRANK ARM |
| | | BOLT HOLES ONE FLANGE (OPT) |
| | | BOLT HOLES BOTH FLANGES (OPT) |
| | | 1 1/2" TO 4" FLANGES (OPT) |
| | | ELECTRIC ACT.(OPT) |
| | | PNEU. ACT. (OPT) |

OPTIONAL BOLT HOLES IN FLANGES

h = no. of holes on shorter side
 f = flange width
 m = holes diameter
 k = no. of holes on longer side
 j = c-c spacing on shorter side
 l = c-c spacing on longer side
 g = width from the centre line



| | BLADES | AXLES | BEARINGS |
|------------------------|---|--|--|
| 12 GA GALVANIZED STEEL | 16 GA. TO 48" 14 GA. TO 60" GALV | 3/4" DIA. PLATED STEEL | OUTBOARD BRGS. W / SHAFT SEAL (OPT) |
| | 12 GA. TO 48" 10 GA. TO 60" GALV | 3/4" DIA. PLATED STEEL TO 48", 1" DIA PLATED STEEL OVER 48" TO 60" | SS SLEEVE PRESSED |
| 12 GA. 304 SS | 10 GA. 316 SS TO 60" 12 GA. TO 316 SS 48" | | BRGS. BOLTED TO FRAME W / INTEGRAL SHAFT SEALS (OPT) |
| 10 GA. 304 SS | 12 GA. 304 SS TO 48" | 1" DIA PLATED STEEL (OPT) | |
| 12 GA. 316 SS | 10 GA. 304SS TO 60" GALV | 1" DIA SS(OPT) | SS SLEEVE IN CAST HSG BOLTED TO FRAME |
| | 16 GA. 304SS TO 48" 14 GA. 304SS TO 60" GALV | 3/4" DIA SS (OPT) | |
| | 16GA. 316SS TO 48" 14GA. 316SS TO 60" | | |



Project:
 Location:
 Architect
 Engineer:

Contractor:
 Address:
 P.O. Number:
 Date: