



**SUBMITTAL DRAWING  
FOR OVAL ACCESS DOORS  
MODELS : ACC8X5 ,ACC12X6 ,ACC18X10 ,  
ACC22X14 ,ACC26X18.**

**STANDARD CONSTRUCTION**

Galvanized Steel

The door is two die-formed and seamless panels in a sandwich construction.  
The frame is die-formed and seamless.

Positive cam lock fastenings.

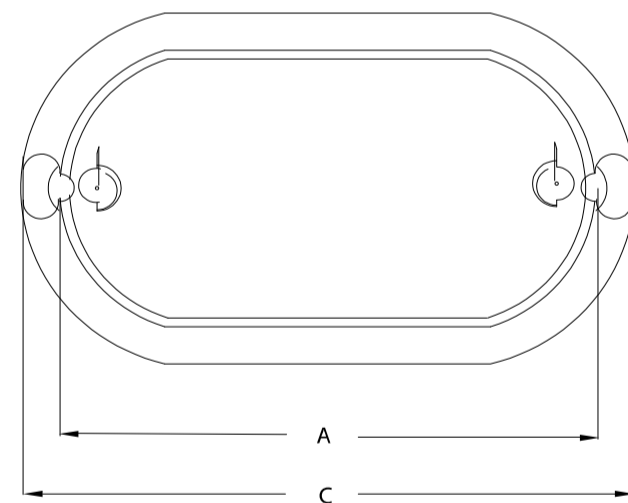
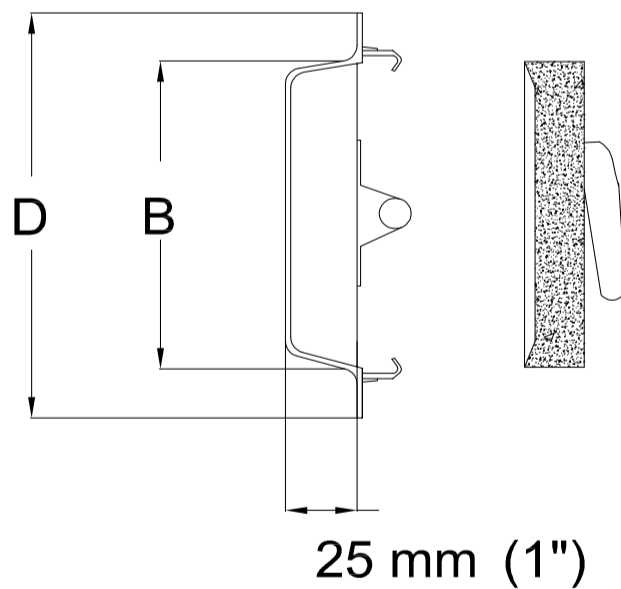
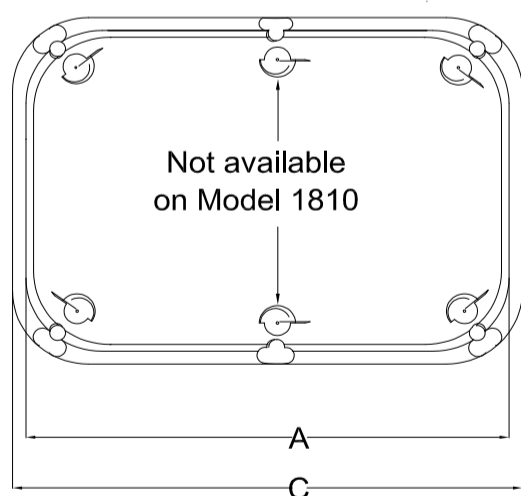
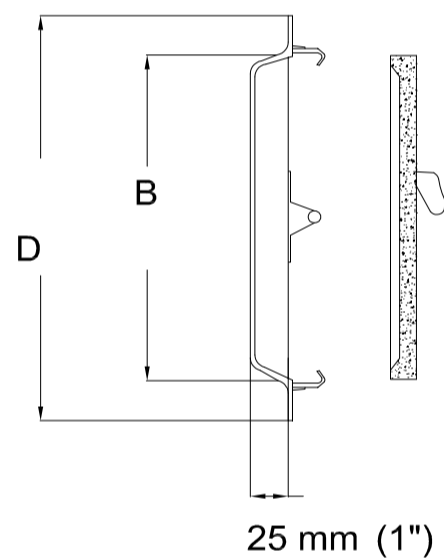
One piece extruded gasket for positive seal.  
Thermal, Acoustic and Fire Retardant insulation.  
Pre-punched holes in both flanges of frame.

**Features**

Oval Shape for ease of installation.  
Cut-out template provided.

Suitable for insulated or uninsulated duct.

Safety Chain (Optional)



Model	No. per Carton	Carton Size
ACC8x5	20	20"x16"x7.75"
ACC12x6	10	16.75"x14.5"x8.75"
ACC18x10	10	20.75"x16.75"x13"
ACC22x14	5	24.75"x16.5"x9.5"
ACC26x18	4	28.75"x20.5"x7.75"

MODEL	O805		1206	
	NOM. SIZE	200X125 (mm)	8X5 (In)	300X150 mm
A	200	7 7/8	300	11 7/8
B	125	5	150	6
C	240	9 1/2	350	13 1/4
D	165	6 1/2	200	7 7/8

MODEL	1810		2214		2618	
	NOM. SIZE	460X250 (mm)	18X10 (In)	550X350 (mm)	22X14 (In)	650X450 (mm)
A	460	18 1/4	550	21 5/8	650	25 5/8
B	260	10 1/4	350	13 3/4	450	17 3/4
C	500	19 5/8	590	23 1/4	690	27 1/8
D	300	11 7/8	400	15 3/4	500	19 5/8

Project:  
Location:  
Architect  
Engineer:

Contractor:  
Address:  
P.O. Number:  
Date: