

STANDARD CONSTRUCTION:

FRAME:

20 ga. (1.02) galvanizwd steel - RCCG or .080 (2)

aluminum - RCCA Toggle locked or spot welded corners

INSULATION:

1", 3 lbs. density thermal and acoustica insulation

HEIGHT:

10" tall construction

MINIMUM SIZE OPENING:

11"

MAXIMUM SIZE OPENING:

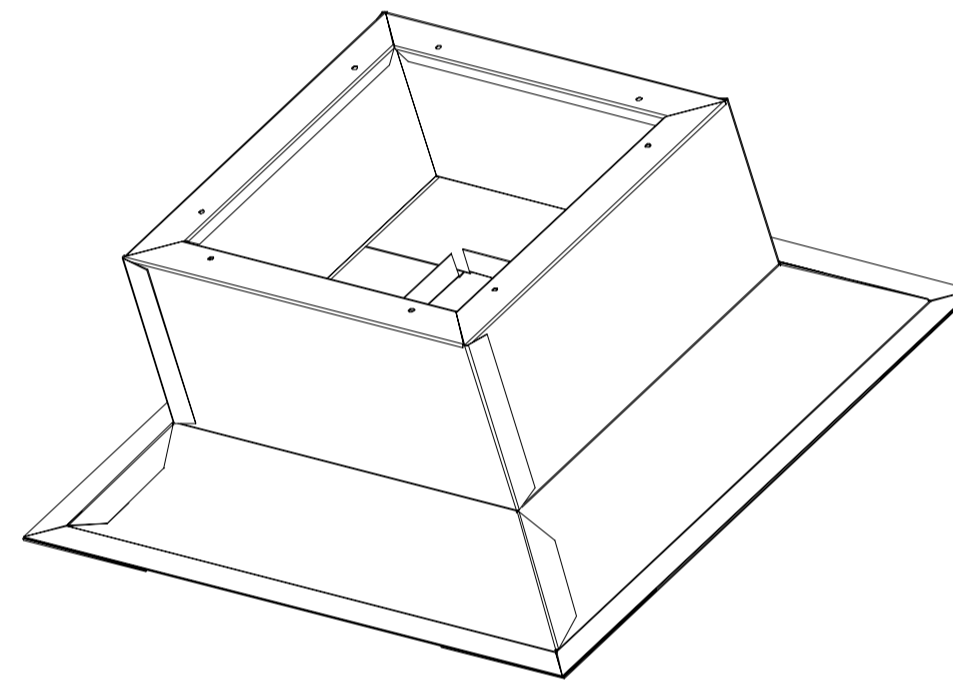
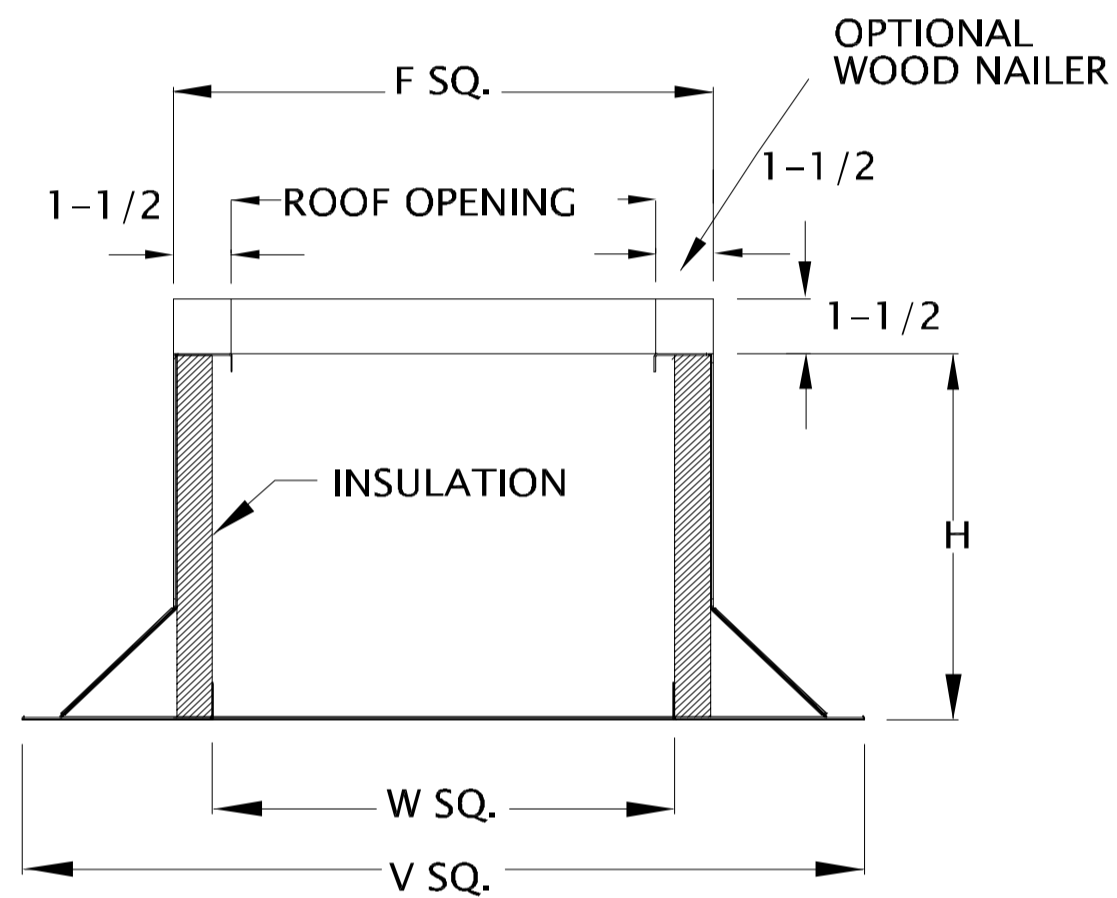
49.5"

WOOD NAILER :

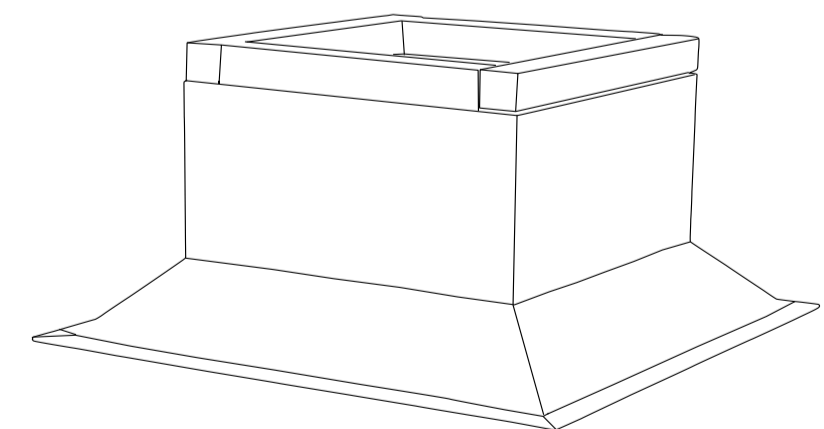
not supplied in standard construction

OPTIONS :

Wood Nailer 1-1/2" x 1-1/2"



GAVANIZED OR ALUMINUM CURB DIMENSION DATA						
PRODUCT STYLE		H	F SQ.	V SQ.	W SQ.	ROOF OPENING
GALVANIZED	ALUMINUM					
AMI-RCCG14	AMI-RCCA14	10	14	22	12	11
AMI-RCCG15	AMI-RCCA15	10	15	23	13	12
AMI-RCCG16	AMI-RCCA16	10	16	24	14	13
AMI-RCCG17	AMI-RCCA17	10	17	25	15	14
AMI-RCCG19	AMI-RCCA19	10	19	27	17	16
AMI-RCCG20	AMI-RCCA20	10	20	28	18	17
AMI-RCCG2312	AMI-RCCA2312	10	23-1/2	31-1/2	21-1/2	20-1/2
AMI-RCCG2612	AMI-RCCA2612	10	26-1/2	34-1/2	24-1/2	23-1/2
AMI-RCCG2712	AMI-RCCA2712	10	27-1/2	35-1/2	25-1/2	24-1/2
AMI-RCCG2912	AMI-RCCA2912	10	29-1/2	37-1/2	27-1/2	26-1/2
AMI-RCCG3512	AMI-RCCA3512	10	35-1/2	43-1/2	33-1/2	32-1/2
AMI-RCCG3812	AMI-RCCA3812	10	38-1/2	46-1/2	36-1/2	35-1/2
AMI-RCCG41	AMI-RCCA41	10	41	49	39	38
AMI-RCCG4412	AMI-RCCA4412	10	44-1/2	52-1/2	42-1/2	41-1/2
AMI-RCCG5212	AMI-RCCA5212	10	52-1/2	60-1/2	50-1/2	49-1/2



Project:

Location:

Architect

Engineer:

Contractor:

Address:

P.O. Number:

Date: